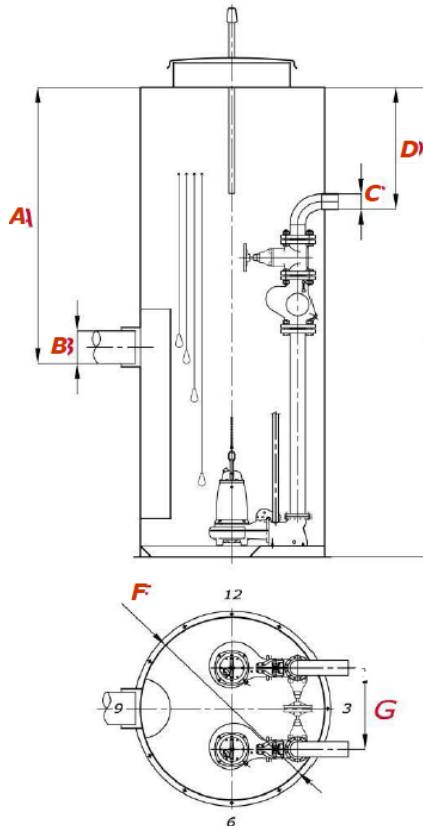


**QUESTIONNAIRE
for selection of sewage pumping station (SPS)**



Your contact information information

Organization _____
Contact person _____
Phone _____
Email _____
Project (facility) name _____
Principal business of your organization:
Construction ____ design engineering ____
building owner ____

Parameters for selection of pumping

Peak capacity of pumping station _____ m³/h
Daily capacity of pumping station _____ m³/day
Required pressure head of pump unit _____ m
Number of pumps: working __ backup ____ at warehouse _____
The pumped-over medium: household effluents _____
industrial effluents _____

Overall dimensions of the station body

Depth of supply drainage sewer A _____ mm
Internal diameter of the gravity collector B _____ mm
Diameter of pressure pipe at outlet of pumping station C _____ mm
Depth of pumped sewer D _____ mm
Depth of housing of sewage pumping station E _____ mm
Pumping station body diameter F _____ mm
Number of pressure pipes _____ pcs
Direction of supply sewer (approx. 3-00 hours) _____
Direction of pressure pipes (approx. 9-00 hours) _____
Gravity sewer material _____
Material of pressure pipe _____

Site data

Groundwater depth minus _____ m
Soil type _____

Additional equipment

Module - building above SPS _____
Delivery _____
Turnkey installation and start-up _____
Additional terms and services _____